



KENSINGTON LANDSCAPE &  
POOL DESIGN

AM  
ARCHED MANOR.

March 19, 2025





The landscape design for your home harmoniously blends elegance and functionality, enhancing the architectural beauty of the residence while creating a welcoming outdoor environment. The front yard features structured plantings of lush greenery, anchored by vibrant purple flowering accents that add a touch of color and seasonal interest. Strategically placed ornamental trees and evergreens provide year-round visual appeal and privacy. The stone pillar entry with lantern-style lighting establishes a grand yet inviting approach, complementing the home's stone façade. Thoughtfully designed walkways guide visitors to the front entrance with subtle elevation changes that add depth and dimension. The combination of soft and hardscape elements ensures a refined, low-maintenance landscape that remains visually stunning throughout the seasons.



FRONT ELEVATION



KENSINGTON LANDSCAPE & POOL DESIGN

REVISIONS

	MM/DD/YY	REMARKS
1	--/--/--	...
2	--/--/--	...
3	--/--/--	...
4	--/--/--	...
5	--/--/--	...

A





Bottlebrush Buckeye

Mexican Feather Grass

French Hydrangea  
(Purple)

Pyramidal European  
Hornbeam

Japanese Boxwood  
Hedges (Dwarf)



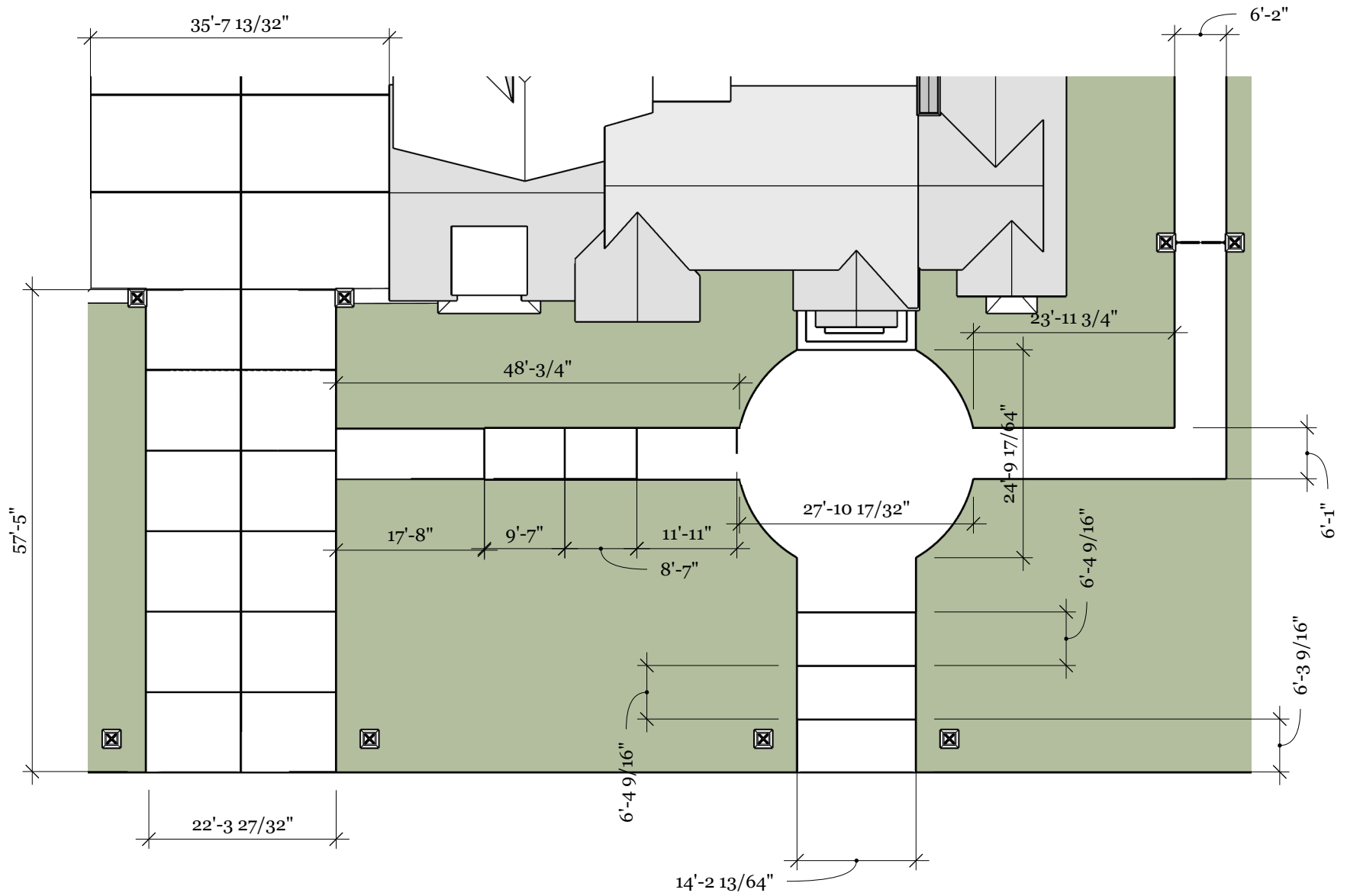
FRONT PLANTINGS



KENSINGTON LANDSCAPE & POOL DESIGN

REVISIONS

	MM/DD/YY	REMARKS
1	--/--/--	...
2	--/--/--	...
3	--/--/--	...
4	--/--/--	...
5	--/--/--	...



FRONT HARDSCAPE PLAN



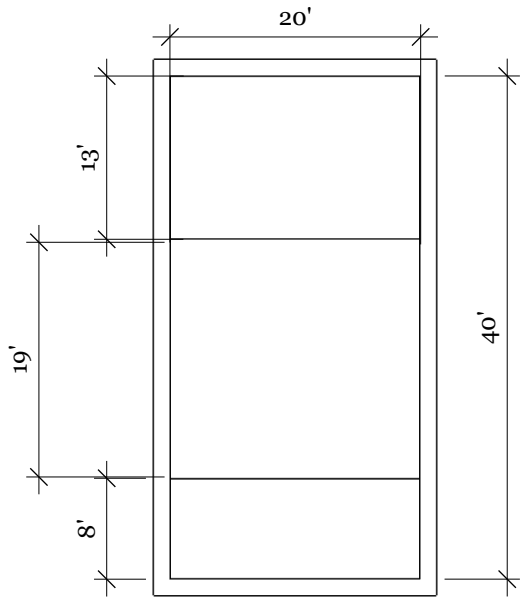
KENSINGTON LANDSCAPE & POOL DESIGN

REVISIONS

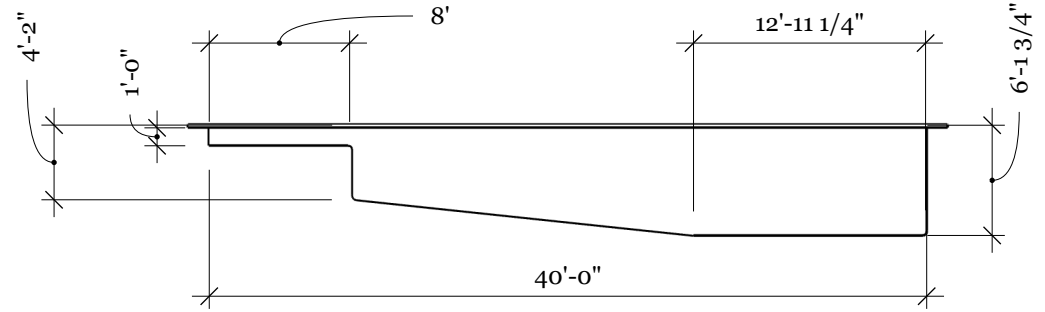
	MM/DD/YY	REMARKS
1	---/---/---	...
2	---/---/---	...
3	---/---/---	...
4	---/---/---	...
5	---/---/---	...

A 01

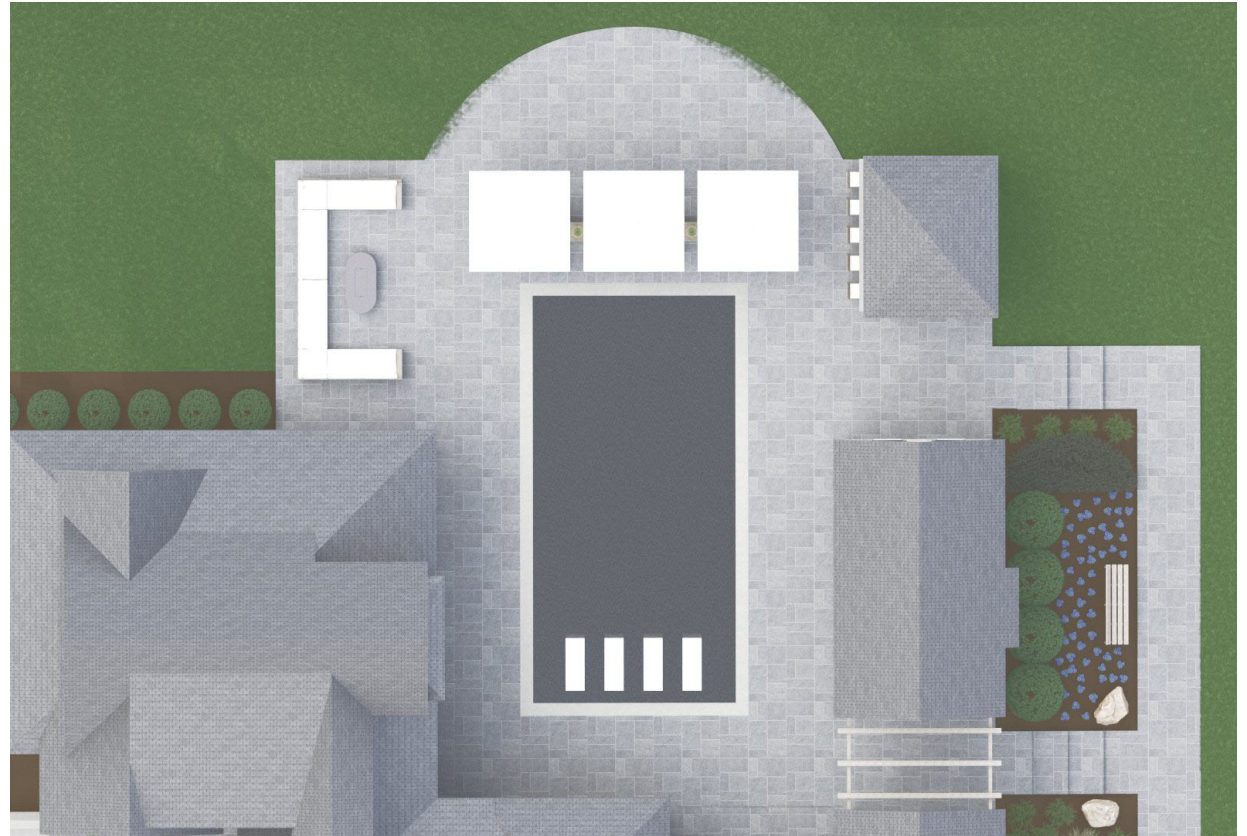




Blue pool tile will be used to give a dark, tranquil feel for the pool color.



The pool features a sunshelf where four lounge chairs will be available for guests to relax in. The sunshelf will be 8" deep and extend for 8' into the pool.



FRONT PLANTINGS



KENSINGTON LANDSCAPE & POOL DESIGN

REVISIONS

	MM/DD/YY	REMARKS
1	--/--/--	...
2	--/--/--	...
3	--/--/--	...
4	--/--/--	...
5	--/--/--	...



RIGHT SIDE LANDSCAPE PLAN RENDERS



KENSINGTON LANDSCAPE & POOL DESIGN

REVISIONS

	MM/DD/YY	REMARKS
1	--/--/--	...
2	--/--/--	...
3	--/--/--	...
4	--/--/--	...
5	--/--/--	...

03

A