



ANDERSEN HOME OFFICE BUILT-IN
CABINETRY PROJECT

AM
ARCHED MANOR

Project Manager: John Kaplar
Email: john.kaplar@archedmanor.com
Phone: (555) 555-5555
Web: archedmanor.com

January 28, 2026



FEATURE WALL

Project Overview

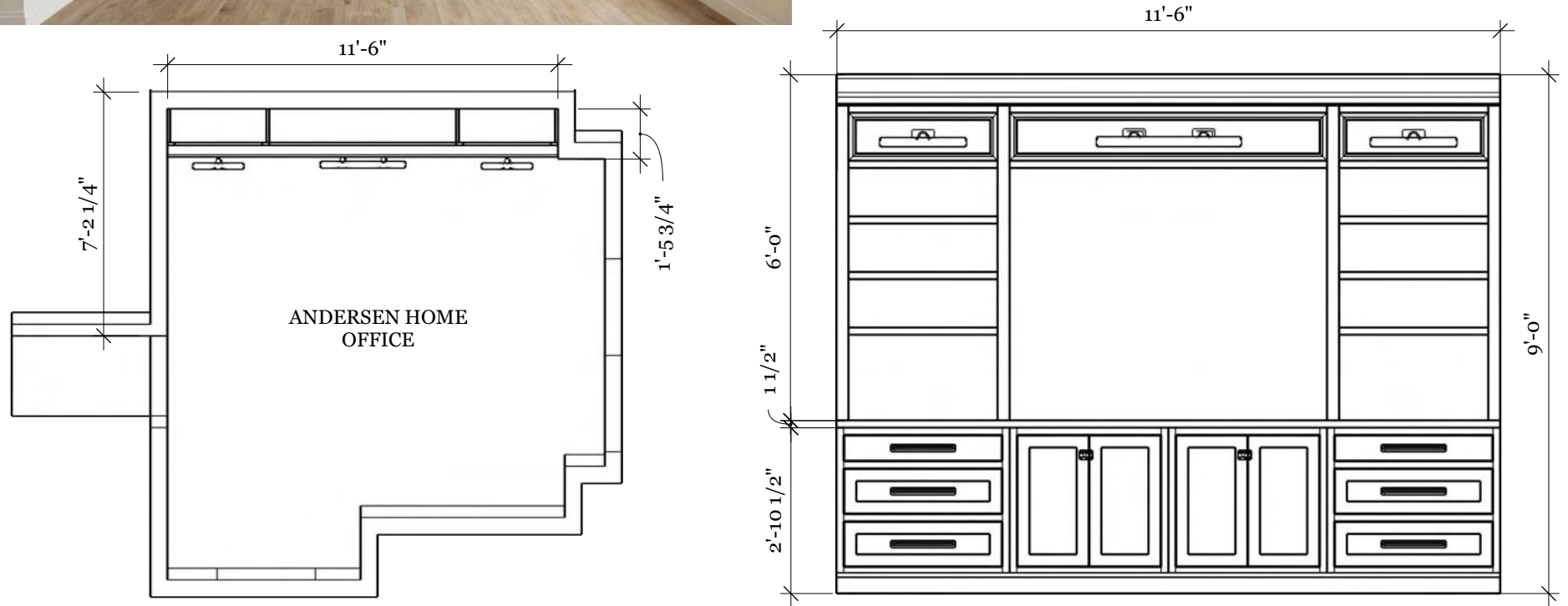
This built-in bookshelf will be constructed on the far wall of the home office of the Andersen Residence. Four base cabinets will be used to span the available width of the wall, and a countertop and shelves will be placed on top. Matching baseboard molding and crown molding will be used to create a seamless look for the unit.

Per the Andersen's direction, we will paint the cabinets one color in satin/eggshell Benjamin Moore paint (color to be verified by client).

Lighting will be installed at the top via three hardwired picture-frame lights that will be connected to a dimmer switch on the wall to the left of the unit (opposite windows).

The unit will have six shelves for storage, three pull-out drawers, two double-door base cabinets for large storage, and plenty of countertop area decor and decorations.

Construction is estimated to take 14 business days to complete with a crew of 2-3 carpenters.



PROJECT OVERVIEW



ANDERSEN HOME OFFICE BUILT-IN CABINERY
PROJECT

REVISIONS

	MM/DD/YY	REMARKS
1	--/--/--	...
2	--/--/--	...
3	--/--/--	...
4	--/--/--	...
5	--/--/--	...

01

A



RENDER OF THE FINISHED UNIT



ANDERSEN HOME OFFICE BUILT-IN CABINERY
PROJECT

REVISIONS

	MM/DD/YY	REMARKS
1	--/--/--	...
2	--/--/--	...
3	--/--/--	...
4	--/--/--	...
5	--/--/--	...

A 02

A



Cabinet Maker Fixture Light 18" - Brass
Quantity: 2



Scan me



Cabinet Maker Fixture Light 30" - Brass
Quantity: 1



Scan me



Oval Cupboard Latch - Brass
Quantity: 2



Scan me



Bromwich Pull 12" - Brass
Quantity: 6



Scan me

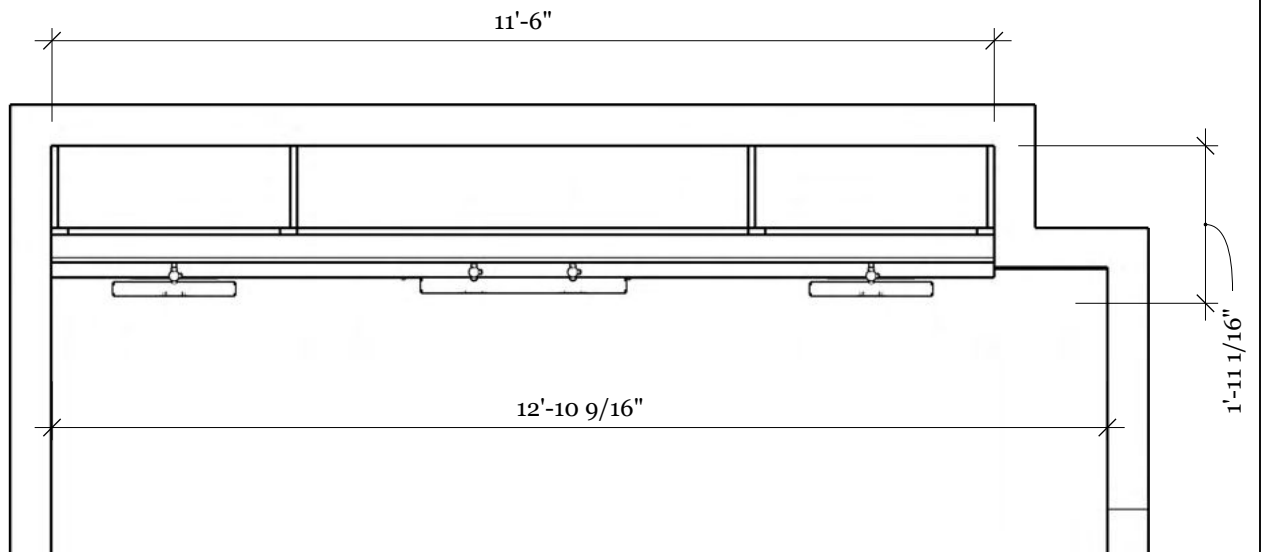
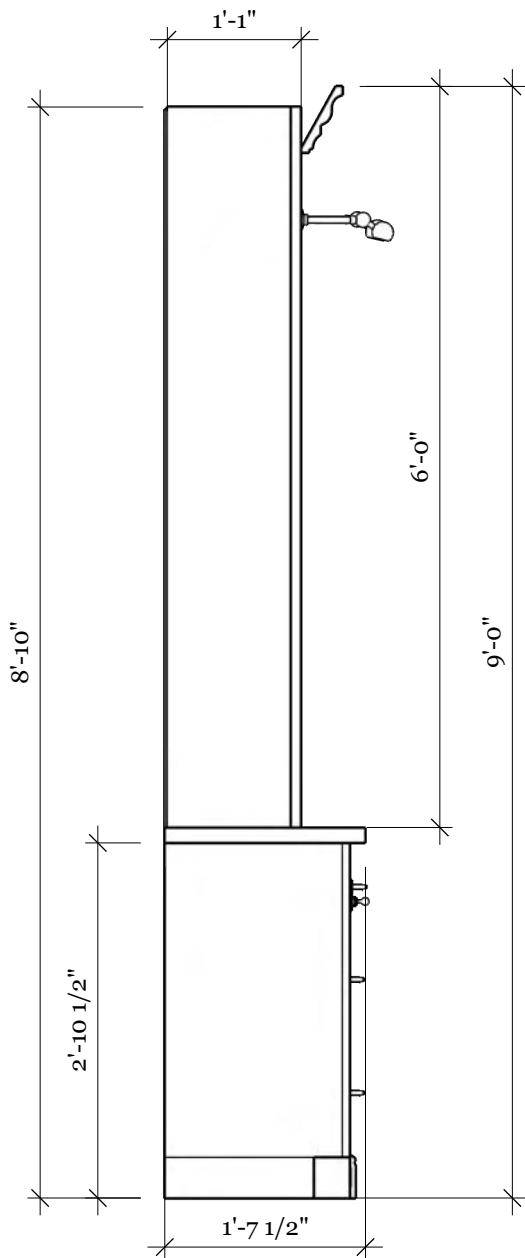
HARDWARE & LIGHTING DETAIL



ANDERSEN HOME OFFICE BUILT-IN CABINETS
PROJECT

REVISIONS

	MM/DD/YY	REMARKS
1	--/--/--	...
2	--/--/--	...
3	--/--/--	...
4	--/--/--	...
5	--/--/--	...



UNIT MEASUREMENTS - SIDE/TOP



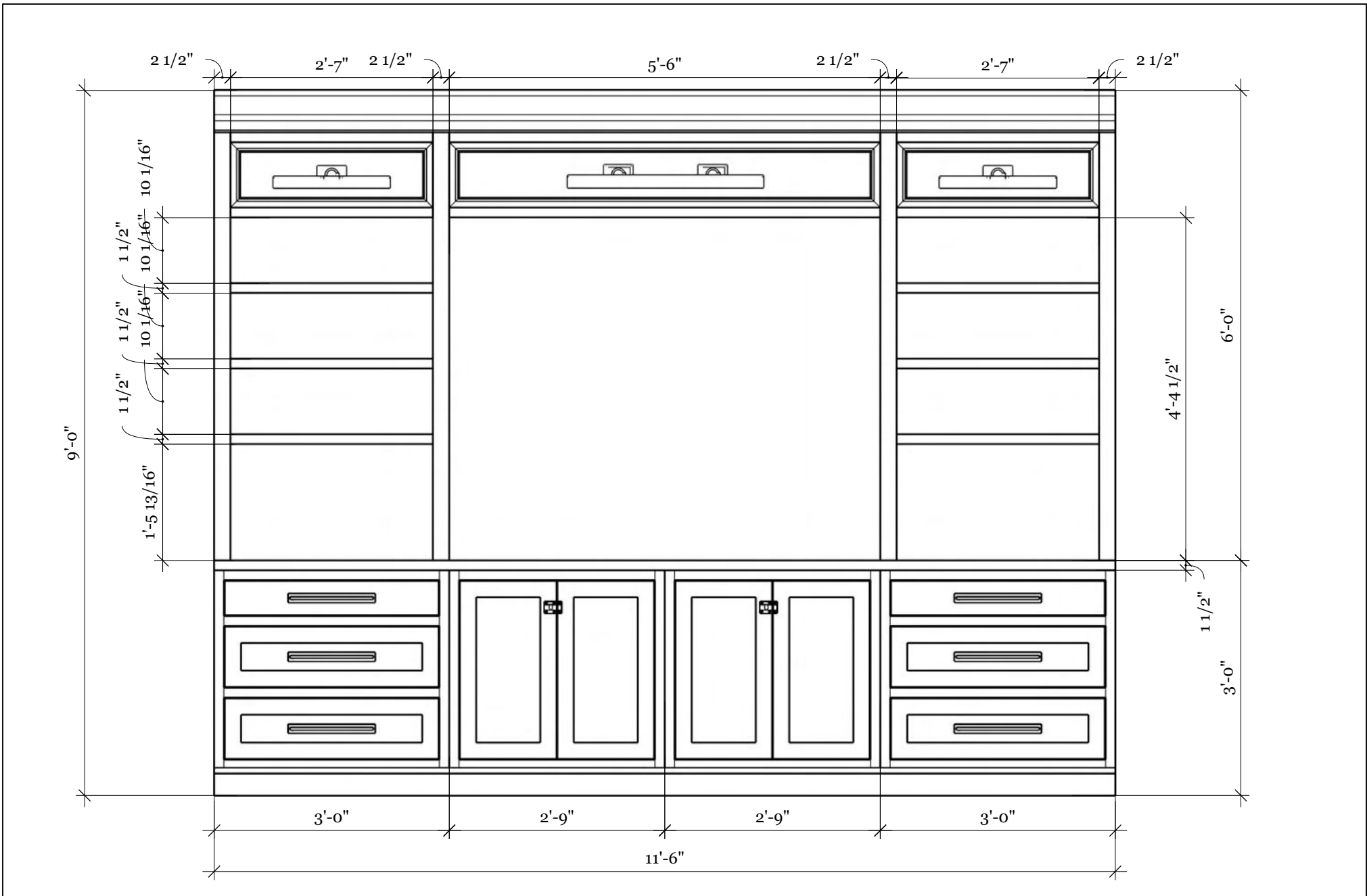
ANDERSEN HOME OFFICE BUILT-IN CABINERY
PROJECT

REVISIONS

	MM/DD/YY	REMARKS
1	--/--/--	...
2	--/--/--	...
3	--/--/--	...
4	--/--/--	...
5	--/--/--	...

A 04

A



UNIT MEASUREMENTS - FRONT



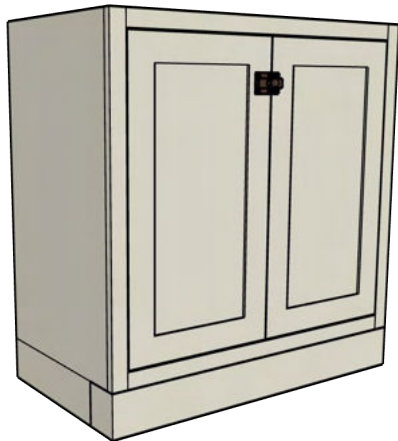
ANDERSEN HOME OFFICE BUILT-IN CABINERY
PROJECT

REVISIONS

	MM/DD/YY	REMARKS
1	--/--/--	...
2	--/--/--	...
3	--/--/--	...
4	--/--/--	...
5	--/--/--	...



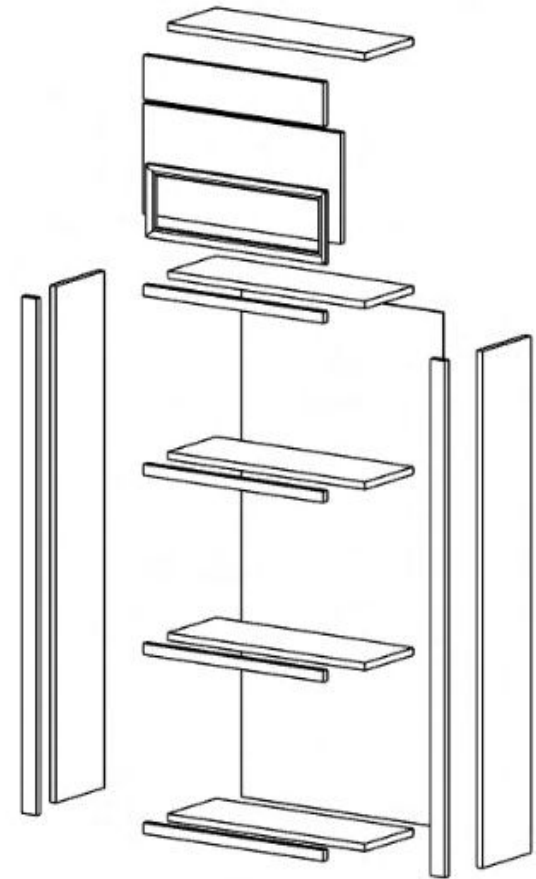
BASE CABINET - 3 DRAWER - PAINTED WOOD
 36" x 24" x 34.5"
 QUANTITY: 2



BASE CABINET - 2 DOOR - PAINTED WOOD
 33" x 24" x 34.5"
 QUANTITY: 2



TOWER SHELVING - PAINTED WOOD
 36" X 5' 5 7/8" x 12"
 QUANTITY: 2



TOWER SHELVING - PARTS
 ASSEMBLY DIAGRAM

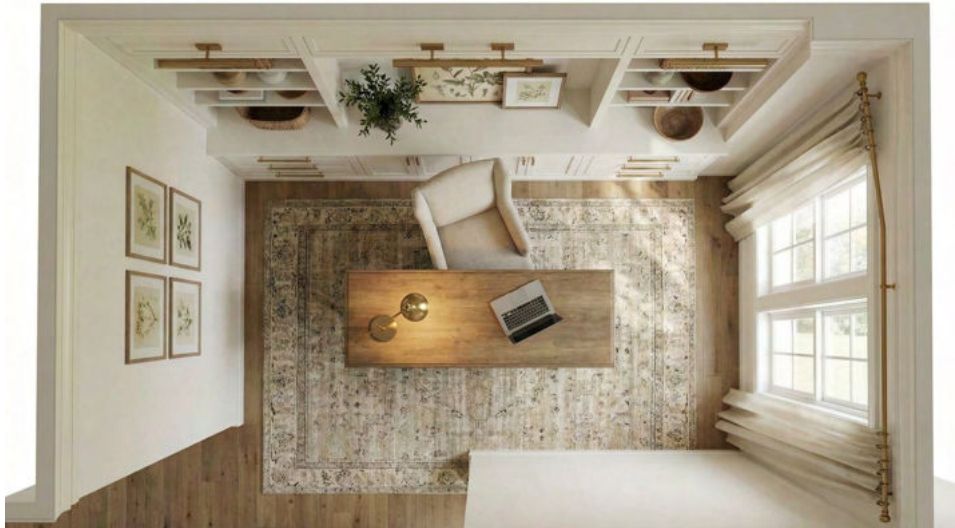
CABINETRY DETAIL



ANDERSEN HOME OFFICE BUILT-IN CABINETRY
 PROJECT

REVISIONS

	MM/DD/YY	REMARKS
1	--/--/--	...
2	--/--/--	...
3	--/--/--	...
4	--/--/--	...
5	--/--/--	...



RENDER GALLERY

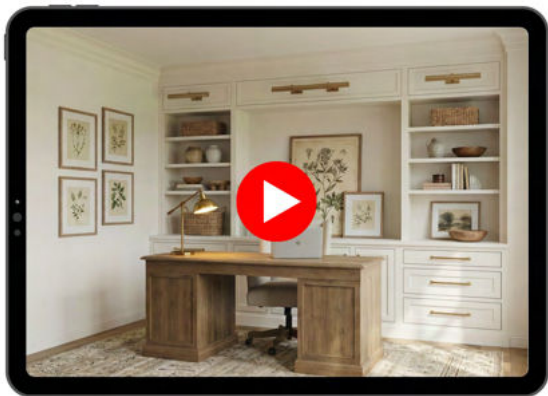


ANDERSEN HOME OFFICE BUILT-IN CABINETS
PROJECT

REVISIONS

	MM/DD/YY	REMARKS
1	--/--/--	...
2	--/--/--	...
3	--/--/--	...
4	--/--/--	...
5	--/--/--	...

Watch a Video of Your Design



VIEW VIDEO

1. Scan the QR code above with your iPhone or Android
2. When the page opens, click the play button on the video

View Your Design in AR



1. Scan the QR code above with your iPhone or Android
2. Stand in the room or location where the unit will be built
3. When the page loads, click the 'View in Your Space' button
4. Align the unit by moving it with your finger
5. Use your phone to view the unit and walk around it

MORE WAYS TO VIEW YOUR DESIGN



ANDERSEN HOME OFFICE BUILT-IN CABINETRY
PROJECT

REVISIONS

	MM/DD/YY	REMARKS
1	--/--/--	...
2	--/--/--	...
3	--/--/--	...
4	--/--/--	...
5	--/--/--	...